

## CYCLONE

*Colt Cyclone is a low profile, high velocity induction fan intended to control air movement in car parks and underground service areas. Cyclone reduces levels of polluted air during day to day use and assists with the extraction of smoke in the event of a fire, directing polluted air and smoke towards the extract positions in a car park or underground service area. It is tested and certified to EN 12101-3.*

*Cyclone uses tunnel ventilation technology to eliminate the need for costly and bulky ductwork. Compared to ductwork systems, this may save car-parking spaces, reduce running costs and noise, and make the car park a lighter, less cluttered environment.*

*Its features and benefits are described overleaf.*



**FEATURES AND BENEFITS**

**Slimline design** - Only 308mm or 252mm overall depth. This reduces the required headroom in car parks and thus lowers excavation costs.

**Certified performance** - Cyclone has been exhaustively tested and certified to EN 12101-3 in accredited third party test laboratories and is CE marked. Cyclone 100, Cyclone 50 and their standard isolators fully meet the F300 time/temperature classifications of EN 12101-3 (300°C continuous operation for one hour). Cyclone achieved 2 hours under test.

**Durable construction** - Cyclone is manufactured from pre-galvanised sheet with the option of a polyester powder coating to any RAL colour.

**Low maintenance** - With the additional advantage that there is no ductwork to clean.

**High thrust** - With a higher thrust, each fan can ventilate a significantly higher floor area. This means that fewer units are required than with conventional impulse units. Fewer units mean lower cabling and control requirements as well as lower installation and maintenance costs.

**Speed options** - Suitable for either two speed or variable speed operation, depending on the application. Where the unit is inverter (variably) controlled, the amount of power consumed is reduced. Cyclone is 3 phase.

**Low noise output** - CIBSE Guide Volume A: 1999, Environmental Design, sets out a recommended maximum noise level of NR55 in car parks. When operated on inverter control, Cyclone can meet this noise level.

Colt Cyclone Car Park Induction Jet Fan - for controlling air movement in a car park or underground service area. Tested and certified to EN 12101-3.

Low profile high velocity powered car park induction ventilation unit, for directing exhaust fumes (in day to day mode) and smoke in a controlled manner towards the main extract positions of a car park or underground service area.

Incorporating a backward curved centrifugal impeller within a low profile slim-line casing manufactured from 1.5mm pre-galvanised steel with an outlet diffuser enabling flush fit with the underside of the car park ceiling.

**Sizes**

- Maximum 100 N thrust
- Maximum 50 N thrust

**Options**

- Single speed DOL motor suitable for inverter speed control, IP55 protection
- Two speed dahlander motor (full and half speed), IP55 protection

Motors supplied either with a fitted IP55 terminal box or an optional IP65 lockable fire rated isolator.

**Finishes**

- Pre-galvanised sheet (standard)
- Polyester powder coating to any RAL colour (optional)

**Fire performance**

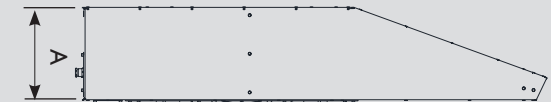
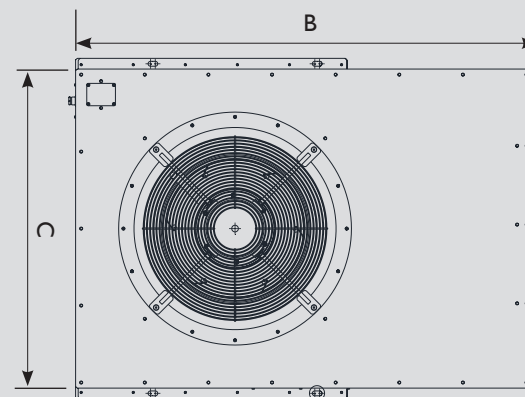
F300 - continuous operation for one hour at 300°C. Cyclone achieved 2 hours under test.

**Compliance**

The complete unit, including isolator, is rated at 300°C for 120 minutes, Class F300 to EN 12101-3 (2002). Cyclone is fully CE marked.



**TECHNICAL SPECIFICATION**



	<b>100N Class F300</b>	<b>50N Class F300</b>
Thrust	98 N / 24 N	51 N / 13 N
Discharge Velocity	32.6 m/s / 16.1 m/s	25.4 m/s / 12.6 m/s
Air Flow	2.45 m³/s / 1.21 m³/s	1.63 m³/s / 0.81 m³/s
Motor Power (full/half speed)	2.2 kW / 0.55 kW	1.2 kW / 0.3 kW
Full load current	5.6 A / 2.0 A	3.3 A / 1.5 A
LpA@3m free field (full/half speed)	71.3 dB(A) / 55.5 dB(A)	70.1 dB(A) / 53.5 dB(A)
Unit height A	308 mm	252 mm
Unit length B	1457 mm	1206 mm
Unit width C	1000 mm	830 mm