

High performance natural louvred ventilator – for natural day to day ventilation and smoke control

The Airlite ventilator provides exceptionally high insulation and low air leakage as well as excellent aerodynamic and acoustic properties. It can provide both inlet and extract ventilation as well as allow the entry of natural daylight. It is suited to most industrial and commercial buildings, and conforms with EN 12101-2.

Its features and benefits are described overleaf.

KEY FEATURES

Outstanding energy efficiency

Tested to **EN 12101-2**

Integrated moveable **Wind baffle**

(Not visible when closed)

Save energy consumption with the **230 Volt Motor** open or close in only 10 seconds!

Flat design Only 150mm high when closed

up to **Sound attenuation 30db**

Fall-through proof in closed position

The ventilator can be supplied either mill finish, wet coated or powder coat painted to a RAL colour.

Optional accessories include bird, insect, burglar and safety guards.

CONTROLS

Controls are either electric (24V DC or 230V AC) or pneumatic. For the pneumatic version, either double action locking mechanisms, failsafe open are available. If used as a smoke ventilator, activation is either by local thermal fuse which opens the unit at a pre-selected temperature, or by response to an external release signal.

PERFORMANCE

Depending on its size and the options selected, Airlite can withstand a wind load of up to 12,500 N/m² and a snow load of up to 4,500 N/m².

It can achieve an insulation value of up to 1.02 W/Km². Air permeability for a medium size unit of 11.7 m³/hm² at 50 Pa has been achieved on test.

FEATURES AND BENEFITS

Energy efficient - Airlite has been designed with the Energy Performance in Buildings Directive in mind, providing exceptionally high insulation and low air leakage.

High aerodynamic, thermal and acoustic performance - Airlite is aerodynamically efficient. It is highly insulated and is exceptionally air tight. It also provides a high degree of sound insulation.

Unique optional movable wind baffle – This can be installed to overcome side wind effects. This is only visible when the ventilator opens.

Wide range of applications - Airlite is classed as a dual purpose ventilator, providing both day to day and smoke control ventilation.

Airlite can also be installed in the vertical either for low level air inlet or for high level extract.

Airlite allows the entry of natural daylight through its polycarbonate or glass blades. There are pneumatic or electric controls and a wide range of accessories and finishes.

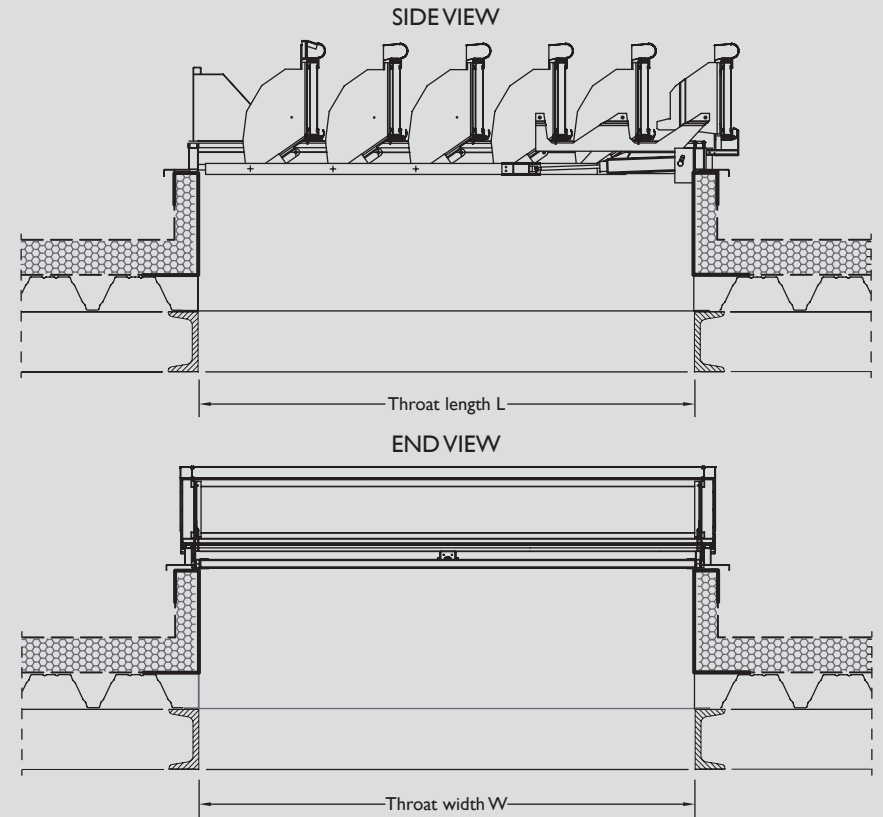
Easy to install - Airlite is delivered fully assembled to site and may be installed at any angle from 0° to 90°. It has a wide range of base profiles to suit all sheeting, curb or glazing applications.

A variable flanged variant is available for vertical installation into curtain walling, glazing or prepared openings.

Durable - Airlite is manufactured from tough, corrosion resistant aluminium alloy.

Certified performance - Airlite has been exhaustively tested and certified to EN 12101-2 in accredited third party test laboratories and is CE marked.

Quality of manufacture - Airlite is manufactured under strict quality control to ISO 9001.



VENTILATOR DESIGN

The ventilator is available in throat widths from 500mm to 2000mm in mm increments, and in throat lengths from 1200mm to 3600mm in 300mm increments.

Depending on the application, louvres are made from:

- 16mm clear or opaque (light transmitting) multiwall polycarbonate
- 16mm grey (non-light transmitting) multiwall polycarbonate.
- 16mm hail resistant polycarbonate (class HW5)
- 24mm toughened laminated insulating glass

Double seals on the base and on the louvre are used to reduce air leakage when closed.

		Length L (mm)									
		1200	1500	1800	2100	2400	2700	3000	3300	3600	
Width W (mm)	500	Av	0.60	0.75	0.90	1.05	1.20	1.35	1.50	1.65	1.80
		MFA	0.47	0.59	0.71	0.83	0.96	1.08	1.20	1.32	1.45
		Aa	0.35	0.45	0.54	0.63	0.73	0.82	0.92	1.01	1.11
	1000	Av	1.20	1.50	1.80	2.10	2.40	2.70	3.00	3.30	3.60
		MFA	0.94	1.18	1.43	1.67	1.92	2.16	2.41	2.65	2.90
		Aa	0.72	0.91	1.10	1.29	1.48	1.67	1.87	2.07	2.27
	1500	Av	1.80	2.25	2.70	3.15	3.60	4.05	4.50	4.95	5.40
		MFA	1.41	1.78	2.15	2.51	2.88	3.25	3.62	3.98	4.35
		Aa	1.11	1.39	1.68	1.97	2.26	2.56	2.86	3.16	3.47
2000	Av	2.40	3.00	3.60	4.20	4.80	5.40	6.00	6.60	7.20	
	MFA	1.88	2.37	2.86	3.35	3.84	4.33	4.82	5.31	5.80	
	Aa	1.50	1.89	2.28	2.67	3.07	3.47	3.88	4.29	4.71	

Av = Measured throat area (m²) MFA = Measured free area (m²) to Approved Document B diagram C7 Aa = Aerodynamic free area (m²)

These values are for a ventilator installed onto a flat roof with a movable wind baffle and ≥ 350mm upstand.