

SMOKEMASTER SM5

Smoke containment systems prevent the movement of smoke and heat from one area to another. These often take the form of physical barriers such as smoke curtains. Smoke curtains are generally used either to create a smoke reservoir by containing and limiting the travel of smoke, to channel smoke in a predetermined direction, or to prevent or retard smoke entry to another area or void.

Movable (as opposed to fixed) smoke curtains may be used where a fixed smoke curtain might be either impractical or aesthetically unacceptable.

The curtain comprises a flexible, heat resistant fabric, which is impervious to smoke and hot gases, wound round a circular tube. The tube contains an electric motor which holds the curtain retracted at ceiling level, and which unrolls the fabric automatically upon a signal from a fire detection system. A bottom bar is fitted to the bottom edge of the fabric to keep it taut and provide a suitable finish when the curtain is retracted.

The curtain material is either 0.4mm or 0.54mm thick with a weight of 455 g/m² or 699 g/m² respectively, depending on the classification.

Smokemaster is available in three versions:

- 1 - Single units (type SI).
- 2 - Double vertical (type DV) units, where continuous runs with overlapped fabric to form a continuous barrier are required.
- 3 - Double horizontal (type DH) units, where there is a premium on space above the ceiling.

Standard single roller curtains are available between 1500 to 5000mm in length, and drops are between 500 and 8000mm. A requirement for lengths greater than 5000mm will be met by installing either double horizontal or double vertical units. Special units with drops of up to 15000mm are available.

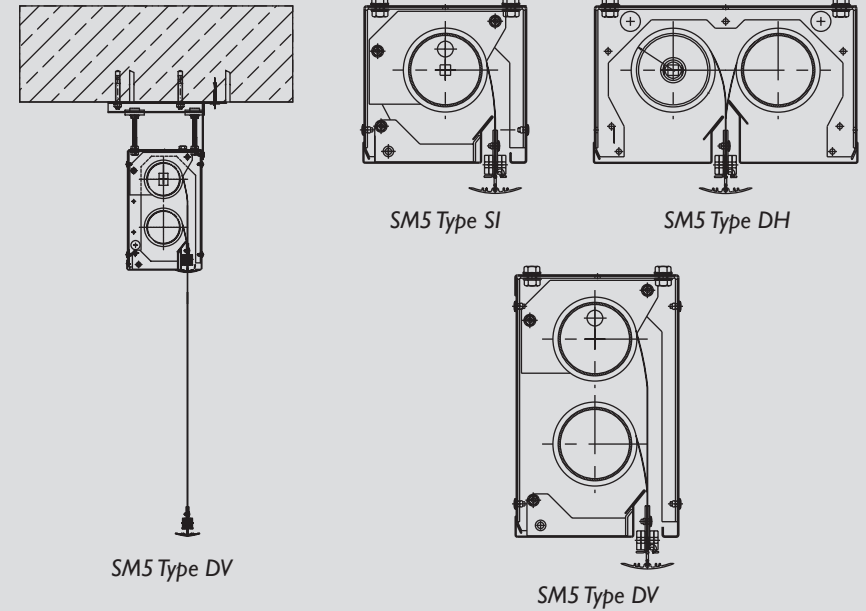
Drive units

- The G (Gravity) version falls under gravity in a controlled manner to a predetermined level in a fire situation or on loss of power, in accordance with ASB 1/3 of EN 12101-1.
- The D (Drive) version drives down in a controlled manner to a predetermined level upon receipt of a signal, in accordance with ASB 2/4 of EN 12101-1.

Testing and certification

Smokemaster SM5 has been successfully tested and certified to EN 12101-1 in accredited third party test laboratories and is CE marked. The D120 curtain material achieves a resistance to smoke at 600°C for a minimum of 120 minutes. The DH120 curtain material achieves a resistance to heat for a period of 120 minutes, following the time-temperature curve in EN 1363-1 with a temperature of 1049°C at the end of the test. The material achieves class A2-s1, d0, in accordance with BS EN 13501-1.

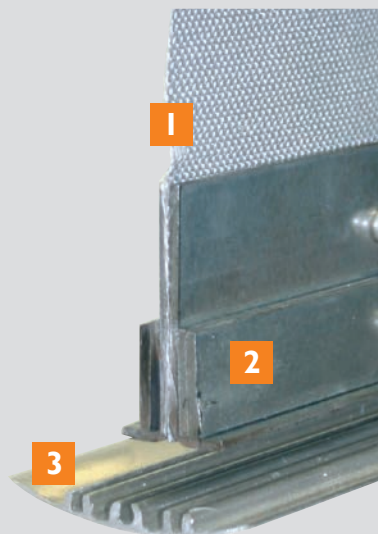
For further details see our web page. <http://bit.ly/1egsbXh>.



D VERSION		G VERSION	
Power supply	230V/1ph/50 Hz	Voltage	48V DC
Power rating	126 W	Power	60 W
Current	0.55 A	Current	1.25 A
Torque	9.9 Nm/17 min ⁻¹	Holding power	5.8W
Protection class	IP 44	Unroll speed	0.15 m/s
Unroll speed	0.08 m/s	Force	28 kg
		Protection class	IP 20

BOTTOM BAR

For either the Industrial or the Comfort version, a bottom bar is fixed to the lower edge of the fabric to assist in lowering the curtain, to reduce sideways movement of the fabric in air currents and to provide a neat finish when retracted.



- 1 - Non-flammable glass fibre cloth
- 2 - Weight profile
- 3 - Extruded aluminium bottom bar

"Comfort" bottom bar illustrated here

Corner piece details - designed to provide minimum gap at the joint

